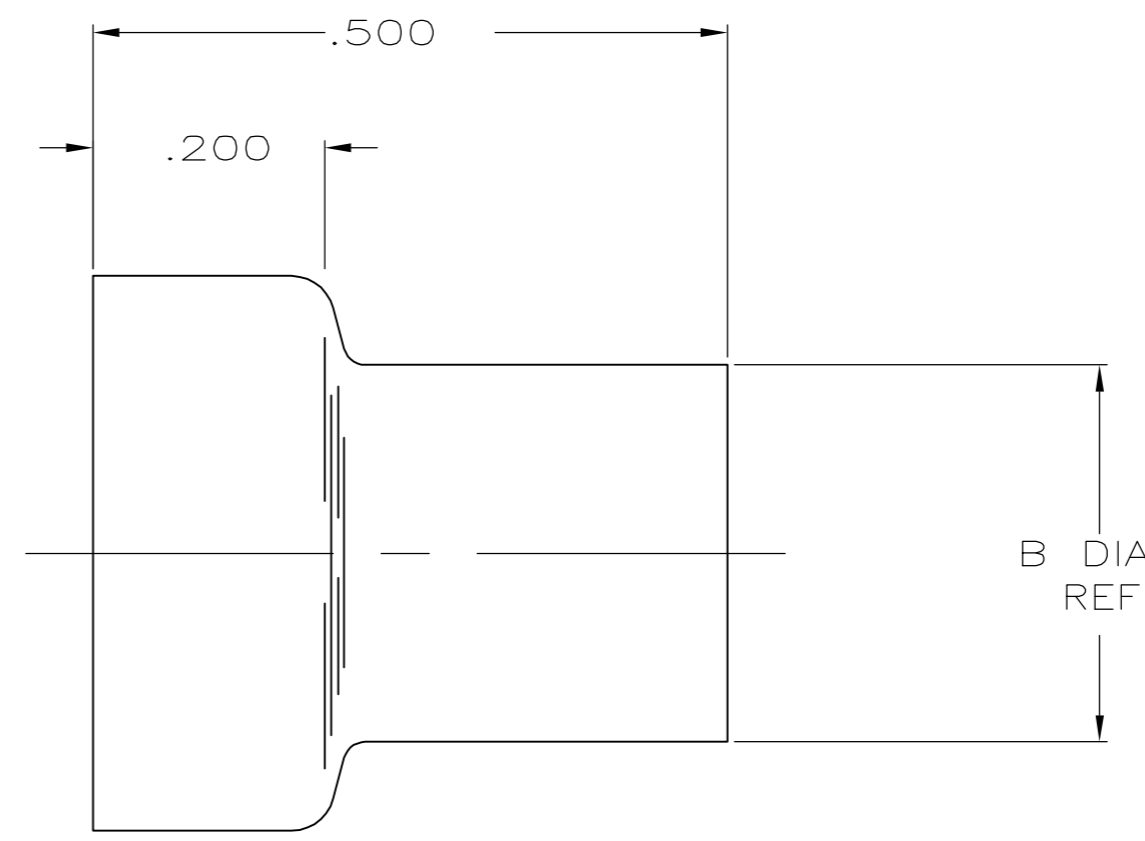
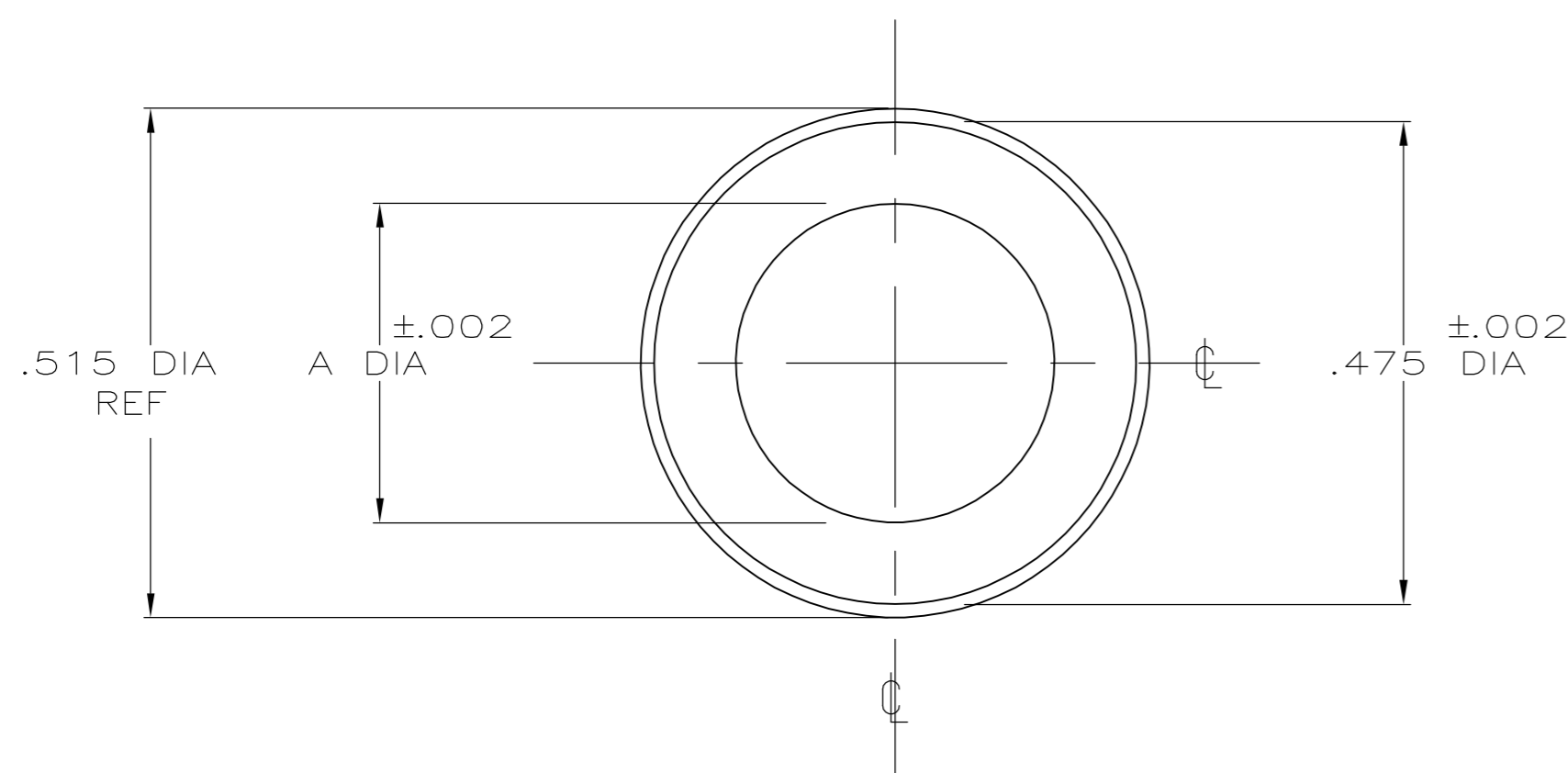


THIS DRAWING IS UNPUBLISHED. RELEASED FOR PUBLICATION
 © COPYRIGHT BY TYCO ELECTRONICS CORPORATION. ALL RIGHTS RESERVED.

LOC	DIST	REVISIONS			
P	LTR	DESCRIPTION	DATE	DWN	APVD
GP	00	C	REVISED PER ECN-0513-0331-05	26SEP06	JDP/CWR



	.350	.310	TIN OVER COPPER	BRASS .020 THICK	212435-9
OBSOLETE	.300	.260	TIN OVER COPPER	BRASS .020 THICK	212435-8
OBSOLETE	.250	.210	TIN OVER COPPER	BRASS .020 THICK	212435-7
	B DIA. REF.	A ±.002 DIA.	FINISH	MATERIAL	PART NO

THIS DRAWING IS A CONTROLLED DOCUMENT.		DWN	S	SCHAFFHAUSER	3-5-86	tyco Electronics	Tyco Electronics Corporation	
		CHK	G	YETTER	3-6-86		Harrisburg, PA 17105-3608	
DIMENSIONS: INCHES		TOLERANCES UNLESS OTHERWISE SPECIFIED:		APVD		NAME		
INCHES		0 PLC ± -		-		FERRULE, SHIELDED, CIRCULAR DIN		
INCHES		1 PLC ± -		-		SIZE		
INCHES		2 PLC ± -		-		CAGE CODE		
INCHES		3 PLC ± -		-		DRAWING NO		
INCHES		4 PLC ± -		-		RESTRICTED TO		
INCHES		ANGLES ± -		-		SCALE		
MATERIAL		FINISH		WEIGHT		SHEET		
SEE TABLE		SEE TABLE		-		1 of 1		
				CUSTOMER DRAWING		REV		
						C		

212435